

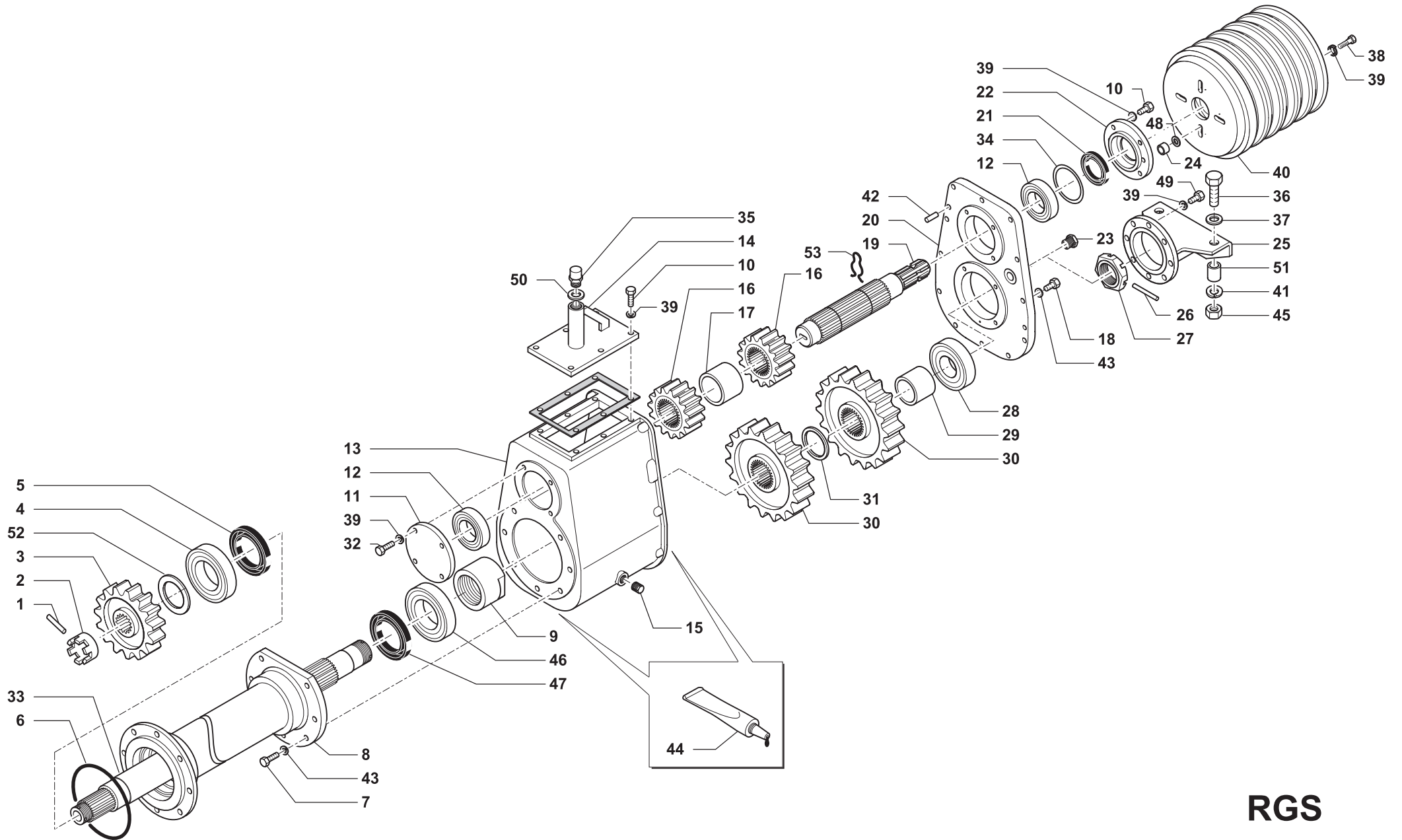
**SUPER TIGER 360
FOLDING ROTARY TILLER**

**ST360P
ST360PF**

093.350.00 RGS

SPARE PARTS CATALOGUE





RGS

2 SPEED GEARBOX 1000 rpm

Tav.	350.832	Rev.	00	0518
Tab.				
Taf.				

2 SPEED GEARBOX 1000 rpm

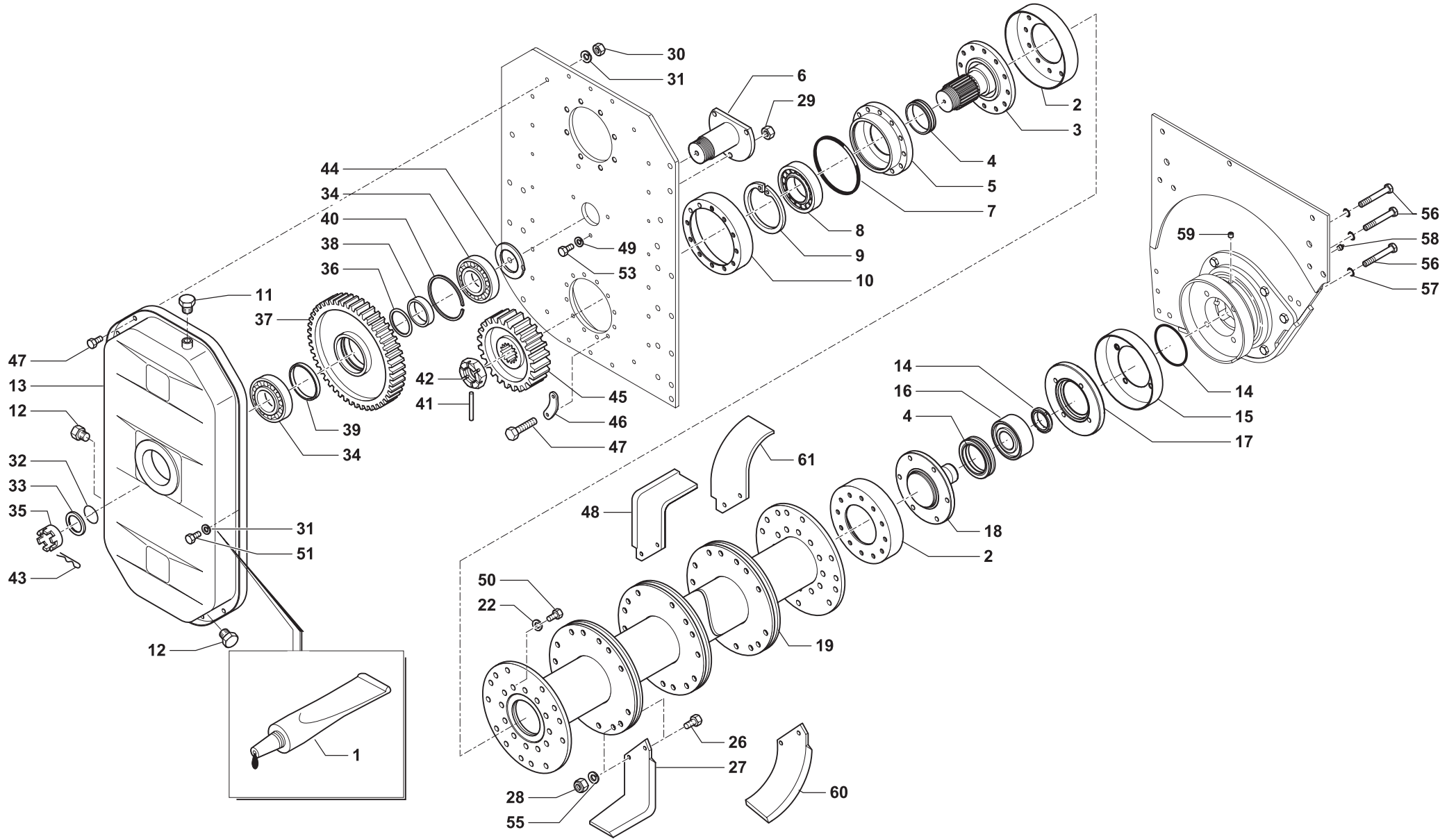
Tav.
Tab.
Taf.

350.832

Rev. **00**

0518

RIF.	CODICE	DENOMINATION	RIF.	CODICE	DENOMINATION	RIF.	CODICE	DENOMINATION	
	1	013027	Pin	25	661108	Cover	48	010004	Washer
	2	423714	Nut	26	013027	Pin	49	014145	Screw
	3	722584	Gear	27	423714	Nut	50	022023	Washer
	4	003210S	Bearing	28	003131S	Bearing	51	423997	Bushing
	5	007225	Oil seal	29	422560	Spacer	52	422559	Washer
	6	007122	Gasket	30	423281	Gear	53	026086	Spring
	7	014382	Screw		423279				
550	8	661113	Spacer		423276				
600		661109	Spacer		423277	Gear			
	9	423690	Spacer		423269	Gear			
10	014205	Screw		423272	Gear				
11	422550	Cover		423273	Gear				
12	003145	Bearing		423286	Gear				
13	462150	Gearbox	31	422559	Spacer				
14	462639	Cover	32	014149	Screw				
15	022018	Plug	550	33	432057	Axle shaft			
16	423285	Gear	600		432058	Axle shaft			
	423270	Gear		34	001168	Set spacers			
	423271	Gear			001169	Set spacers			
	423268	Gear		35	022167	Plug			
	423274	Gear		36	014182	Screw			
	423275			37	010006	Washer			
	423278			38	014009	Screw			
	423280	Gear		39	011002	Grower			
17	423798	Spacer		40	099160	Guard			
18	014214	Screw		41	011005	Grower			
19	432045	Shaft		42	013055	Pin			
20	462152	Cover		43	011003	Grower			
21	007224	Oil seal		44	094006	Glue			
22	422551	Cover		45	004072	Nut			
23	022168	Plug		46	003132S	Bearing			
24	323644	Spacer		47	007151	Oil seal			



TRANSMISSION

TRANSMISSION

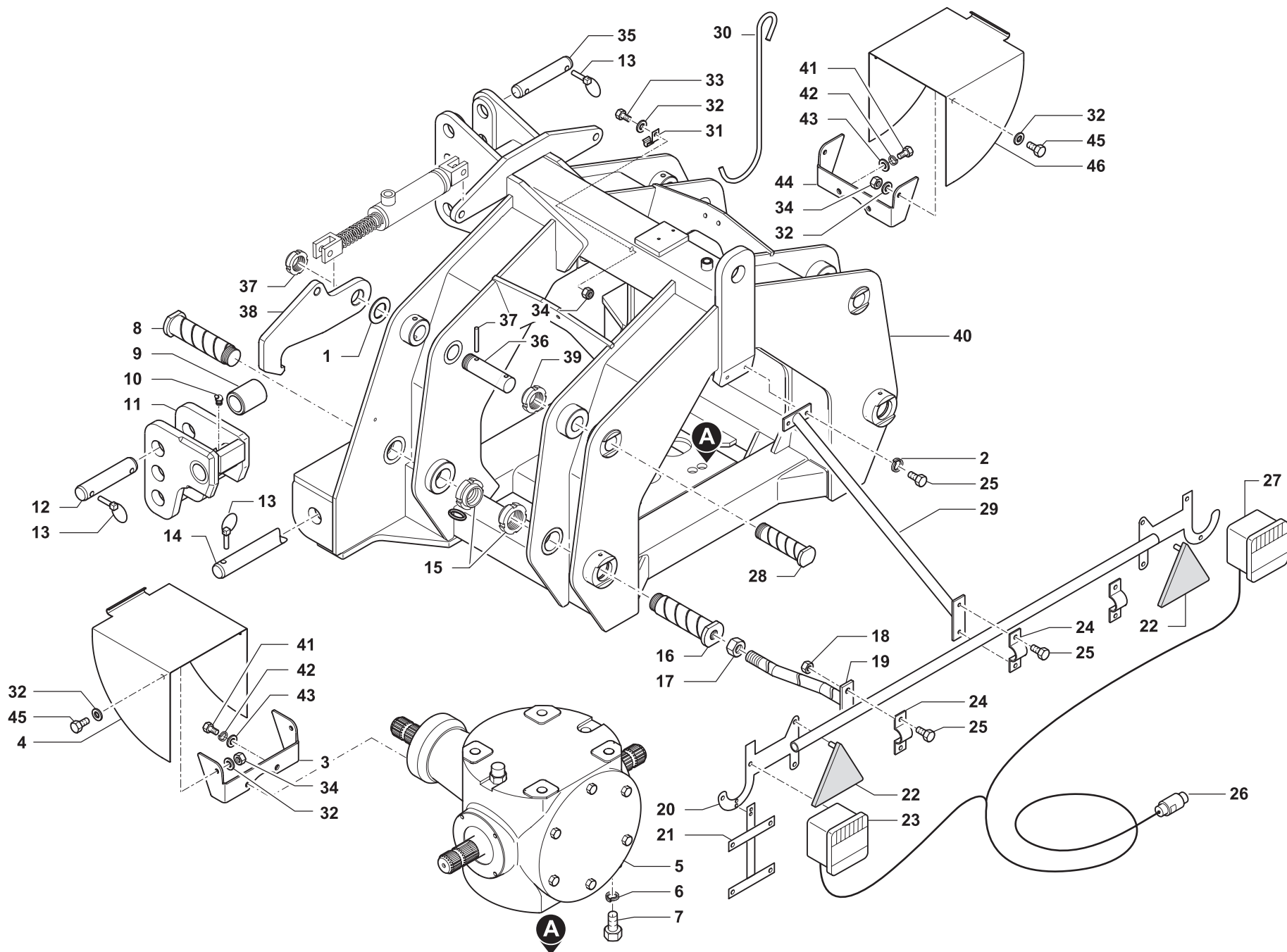
Tav.
Tab.
Taf.

350.831

Rev. **00**

0418

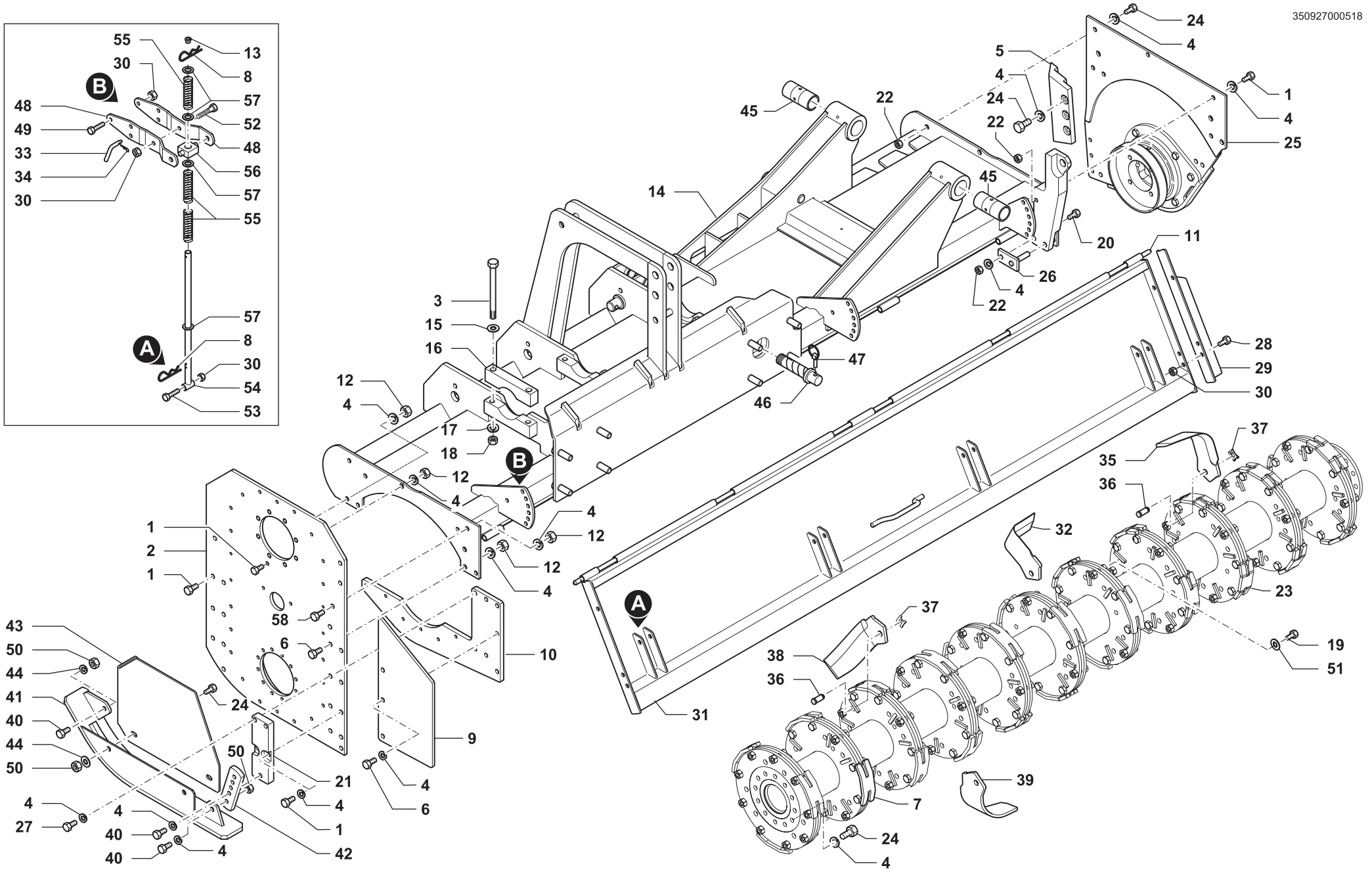
RIF.	CODICE	DENOMINATION	RIF.	CODICE	DENOMINATION
1	094002	Glue	31	011032	Washer
2	711502	Dust cover	32	007226	Gasket
3	423935	Hub	33	423836	Spacer
4	872500	Seal group	34	003115S	Bearing
5	722626	L.H. Support	35	723523	Nut
6	423839	Pivot	36	611713	Shim
7	007129	Gasket	37	723234	Gear
8	003113S	Bearing	38	723622	Spacer
9	001028	Stop ring	39	723623	Spacer
10	711503	Dust cover	40	001011	Stop ring
11	022055	Plug	41	013028	Pin
12	022009	Plug	42	423837	Nut
13	461435	Cover	43	002018	Split pin
14	005027	Ring nut	44	723625	Spacer
15	711504	Dust cover	45	422642	Gear
16	003201S	Bearing	46	311510	Washer
17	722627	R.H. Support	47	014149	Screw
18	722628	Drive hub	48	722561	Blade
500	19	465021	49	011003	Washer
550		465022	50	014011	Screw
600		465023	51	014144	Screw
	20	011036	52	423095	Spacer
	21	014082	53	014254	Screw
	22	011004	54	007054	Gasket
	23	722526	55	011008	Washer
	24	021082	56	014127	Screw
	25	724507	57	011036	Washer
	26	014525	58	008015	Grease nipple
	27	722560	59	026301	Plug
	28	004112	60	722562	Left helicoidal blade
	29	004087	61	722563	Right helicoidal blade
	30	004058			Nut



CENTRE FRAME

CENTRE FRAME

RIF.	CODICE	DENOMINATION	RIF.	CODICE	DENOMINATION
	1 411292	Washer	30	523652	Drive shaft hook
	2 011032	Grower	31	611728	Flask
	3 411240	Support	32	010023	Washer
	4 411241	Guard	33	014005	Screw
360HP	5 471446	Gearbox	34	004055	Nut
450HP	471608*	Gearbox	35	723630	Pivot
		* Use only with the dedicated oil cooling kit	36	723698	Pivot
	6 011010	Grower	37	013063	Pin
	7 014427	Screw	38	611414	Hook
	8 623698	Pivot	39	005007	Ring nut
	9 613107	Bushing	40	661104	Third point
	10 008005	Grease nipple	41	014007	Screw
	11 460096	Swinging arm (cat.III)	42	011032	Grower
	460097	Swinging arm (cat.III)	43	010004	Washer
	12 723606	Pivot	44	411428	Support
	13 013011	Pin	45	014001	Screw
	14 621735	Pivot	46	411429	Protection
	15 005008	Ring nut			
	16 623699	Pivot			
	17 004069	Nut			
	18 004084	Nut			
	19 462172	Bar connection			
	20 027006	Bar			
	21 027007	Number plate holder			
	22 027002	Reflector			
	23 027003	Left Light			
	24 612941	Plate			
	25 014149	Screw			
	26 027005	Power supply wire			
	27 027004	Right light			
	28 613128	Pivot			
	29 661149	Bar			



LH FRAME GROUP

LH FRAME GROUP

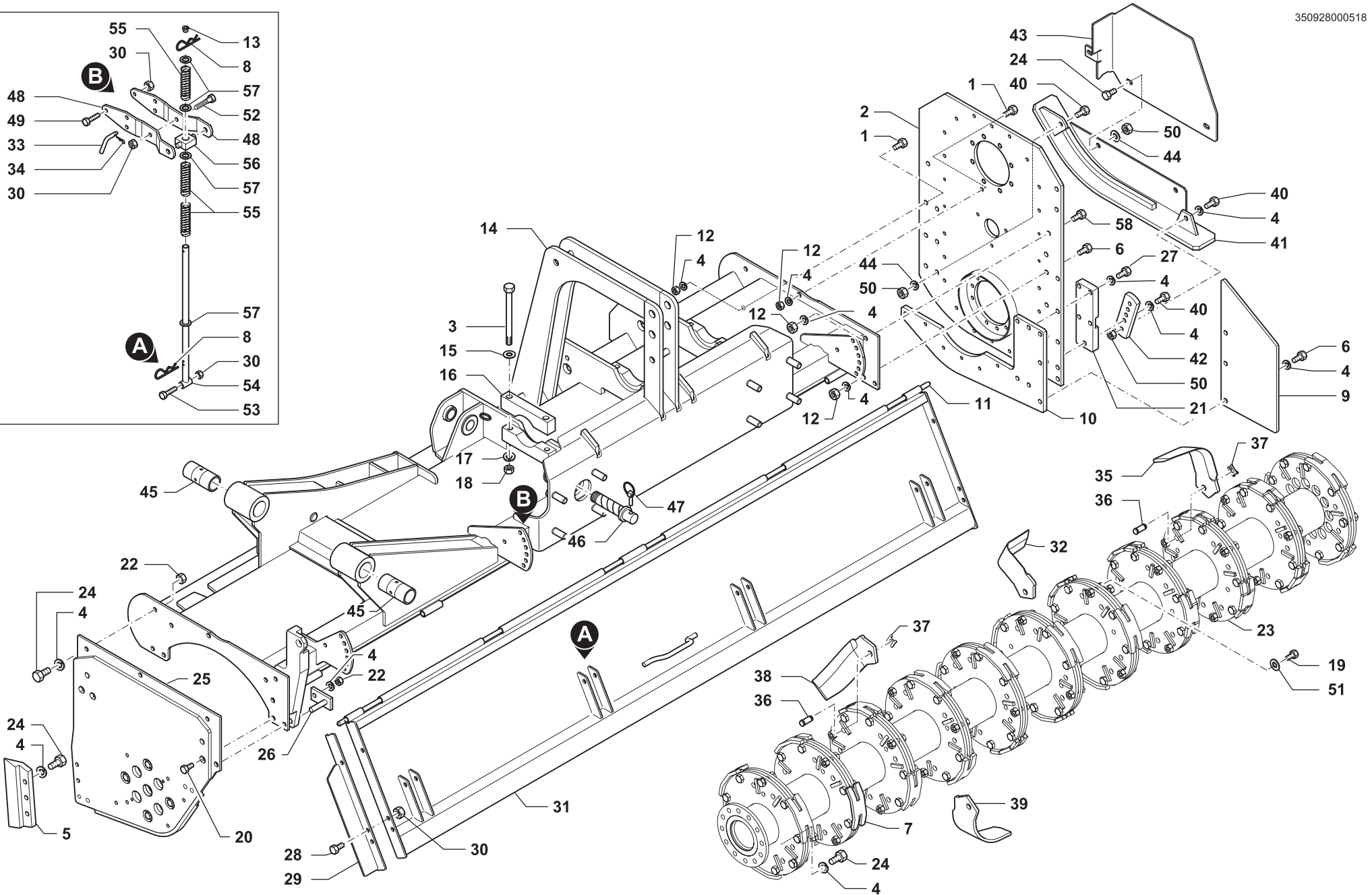
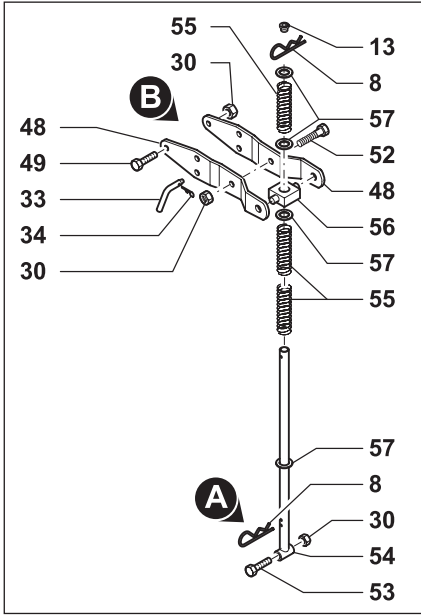
Tav.
Tab.
Taf.

350.927

Rev. **00**

0518

RIF.	CODICE	DENOMINATION		RIF.	CODICE	DENOMINATION	
	1	014212	Screw		30	004079	Nut
	2	462212	R.H. side shield	550	31	466128	Rear door
	3	014285	Screw	600		466129	Rear door
	4	011007	Grower		32	722572	L-shaped blades with quick release system right
	5	412180	Central blade		33	002014	Split pin
	6	014004	Screw		34	423558	Pivot
	7	765016	Protection		35	722573	L-shaped blades with quick release system left
	8	013063	Pin		36	423872	Pin for tines quick release system
	9	411217	Clod bumper		37	411946	Spring
	10	411216	Plate		38	722574	C-shaped blades with quick release system right
550	11	423629	Pivot		39	722575	C-shaped blades with quick release system left
600		423630	Pivot		40	014147	Screw
	12	004004	Nut		41	462283	Right skid
	13	099153	Plug		42	411045	Adjusting bar
550	14	462558	Right frame		43	411201	Carter protection right
600		462559	Right frame		44	010002	Washer
	15	010006	Washer		45	423248	Bushing
	16	623572	Rod clamp		46	423868	Pivot
	17	011008	Grower		47	013011	Pin
	18	004072	Nut		48	811527	Arm
	19	014483	Screw		49	014215	Screw
	20	014084	Screw		50	004054	Nut
	21	411215	Plate		51	011047	Washer
	22	004004	Nut		52	014213	Screw
550	23	765134	R.H. Rotor		53	014257	Screw
600		765135	R.H. Rotor		54	861968	Adjusting bar
	24	014011	Screw		55	823606	Spring
	25	460081	R.H. side shield		56	923587	Support
	26	661145	Pivot		57	010022	Washer
	27	014176	Screw		58	014212	Screw
	28	014382	Screw				
	29	466037	R.H. extension				



RH FRAME GROUP

Tav. Tab. Taf.	350.928	Rev.	00	0518
----------------------	----------------	------	-----------	-------------

RH FRAME GROUP

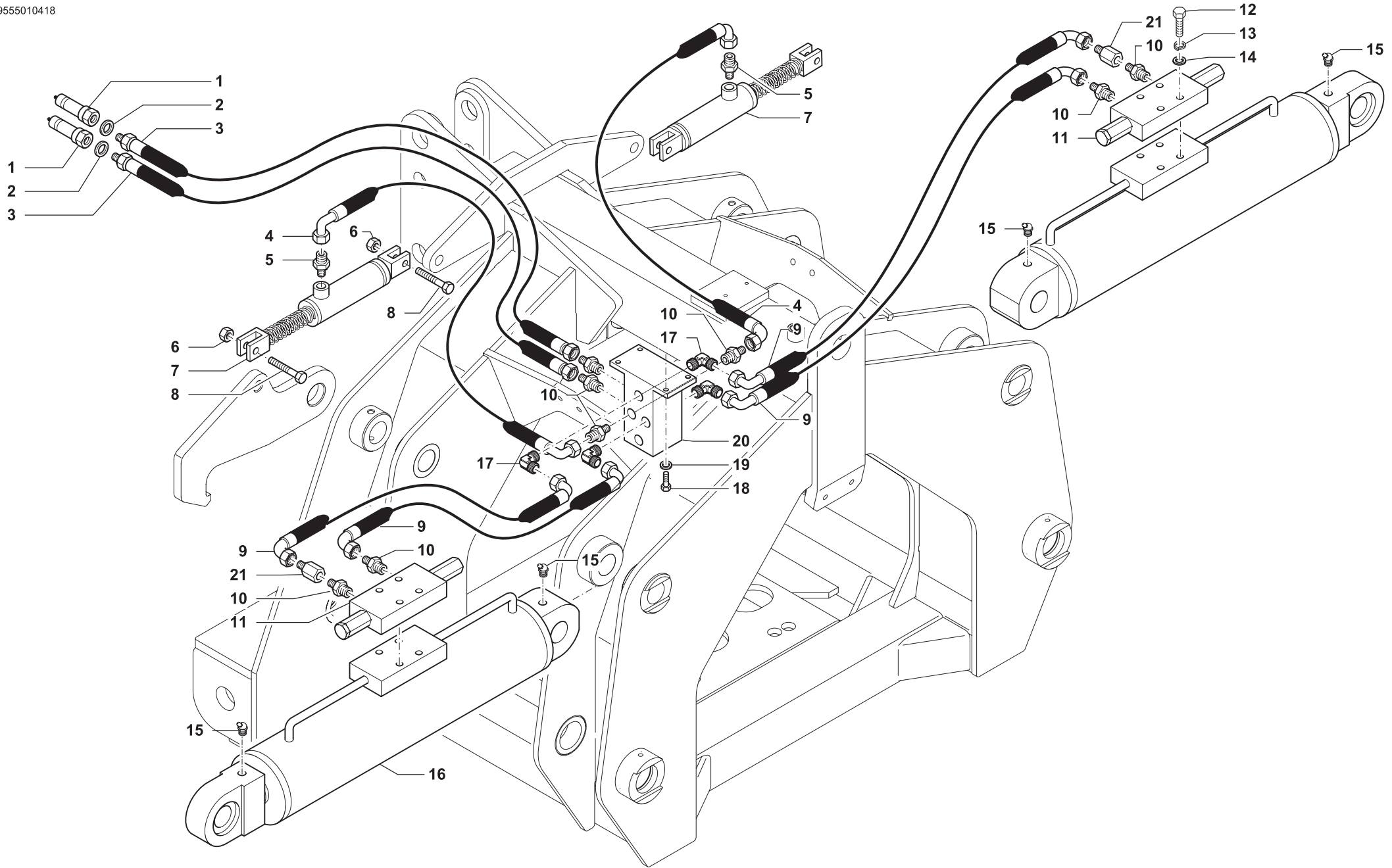
Tav.
Tab.
Taf.

350.928

Rev. **00**

0518

RIF.	CODICE	DENOMINATION		RIF.	CODICE	DENOMINATION	
	1	014212	Screw		30	004079	Nut
	2	462211	R.H. side shield	550	31	466128	Rear door
	3	014285	Screw	600		466129	Rear door
	4	011007	Grower		32	722572	L-shaped blades with quick release system right
	5	412376	Central blade		33	002014	Split pin
	6	014004	Screw		34	423558	Pivot
	7	765016	Protection		35	722573	L-shaped blades with quick release system left
	8	013063	Pin		36	423872	Pin for tines quick release system
	9	411217	Clod bumper		37	411946	Spring
	10	411216	Plate		38	722574	C-shaped blades with quick release system right
550	11	423629	Pivot		39	722575	C-shaped blades with quick release system left
600		423630	Pivot		40	014147	Screw
	12	004004	Nut		41	462282	Left skid
	13	099153	Plug		42	411045	Adjusting bar
550	14	462568	L.H. fra		43	411200	Carter protection left
600		462569	L.H. fra		44	010002	Washer
	15	010006	Washer		45	423248	Bushing
	16	623572	Rod clamp		46	423868	Pivot
	17	011008	Grower		47	013011	Pin
	18	004072	Nut		48	811527	Arm
	19	014483	Screw		49	014215	Screw
	20	014084	Screw		50	004054	Nut
	21	411215	Plate		51	011047	Washer
	22	004004	Nut		52	014213	Screw
550	23	765124	L.H. Rot		53	014257	Screw
600		765125	L.H. Rot		54	861968	Adjusting bar
	24	014011	Screw		55	823606	Spring
	25	460080	L.H. side shield		56	923587	Support
	26	661145	Pivot		57	010022	Washer
	27	014176	Screw		58	014212	Screw
	28	014382	Screw				
	29	466036	L.H. extension				



HYDRAULIC SYSTEM FOR LIFTING

HYDRAULIC SYSTEM FOR LIFTING

Tav.
Tab.
Taf.

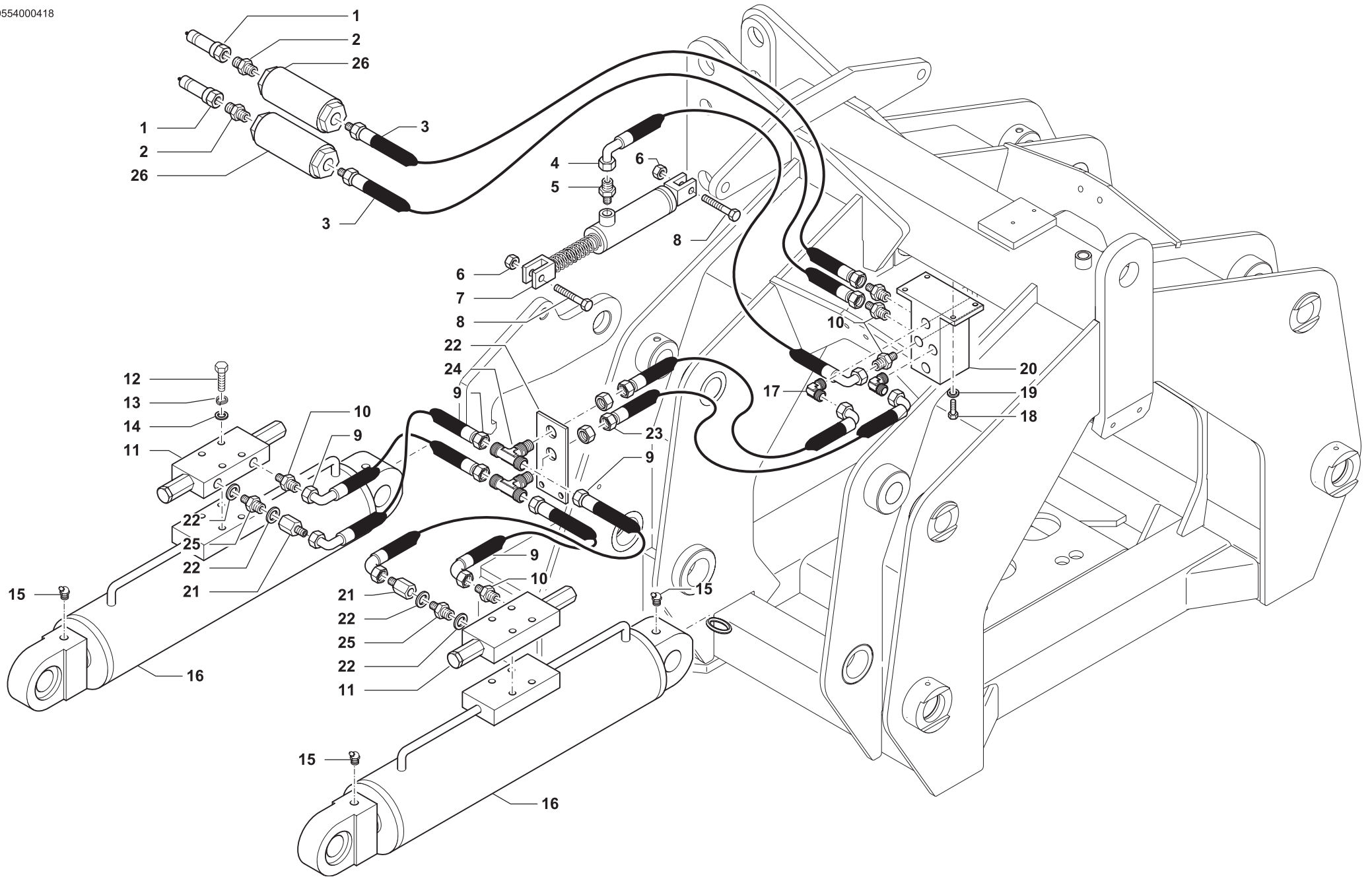
349.555

Rev.

01

0418

RIF.	CODICE	DENOMINATION
1	022082	Shap-on coupling
2	022087	Washer
3	023178	Hose
4	023119	Hose
5	022130	Connection
6	004072	Nut
7	671777	Complete jack
8	014192	Screw
9	023184	Hose
10	022129	Connection
11	021058F	Stop valve
	021109F	Floating valve
12	014123	Screw
13	011001	Washer
14	010023	Washer
15	008011	Grease nipple
16	671816F	Complete jack
	671899	Gaskets kit
17	022120	Connection
18	014032	Screw
19	010015	Washer
20	462265	Connection block
21	022275	Connection



HYDRAULIC SYSTEM DOUBLE LIFTING

HYDRAULIC SYSTEM DOUBLE LIFTING

Tav.
Tab.
Taf.

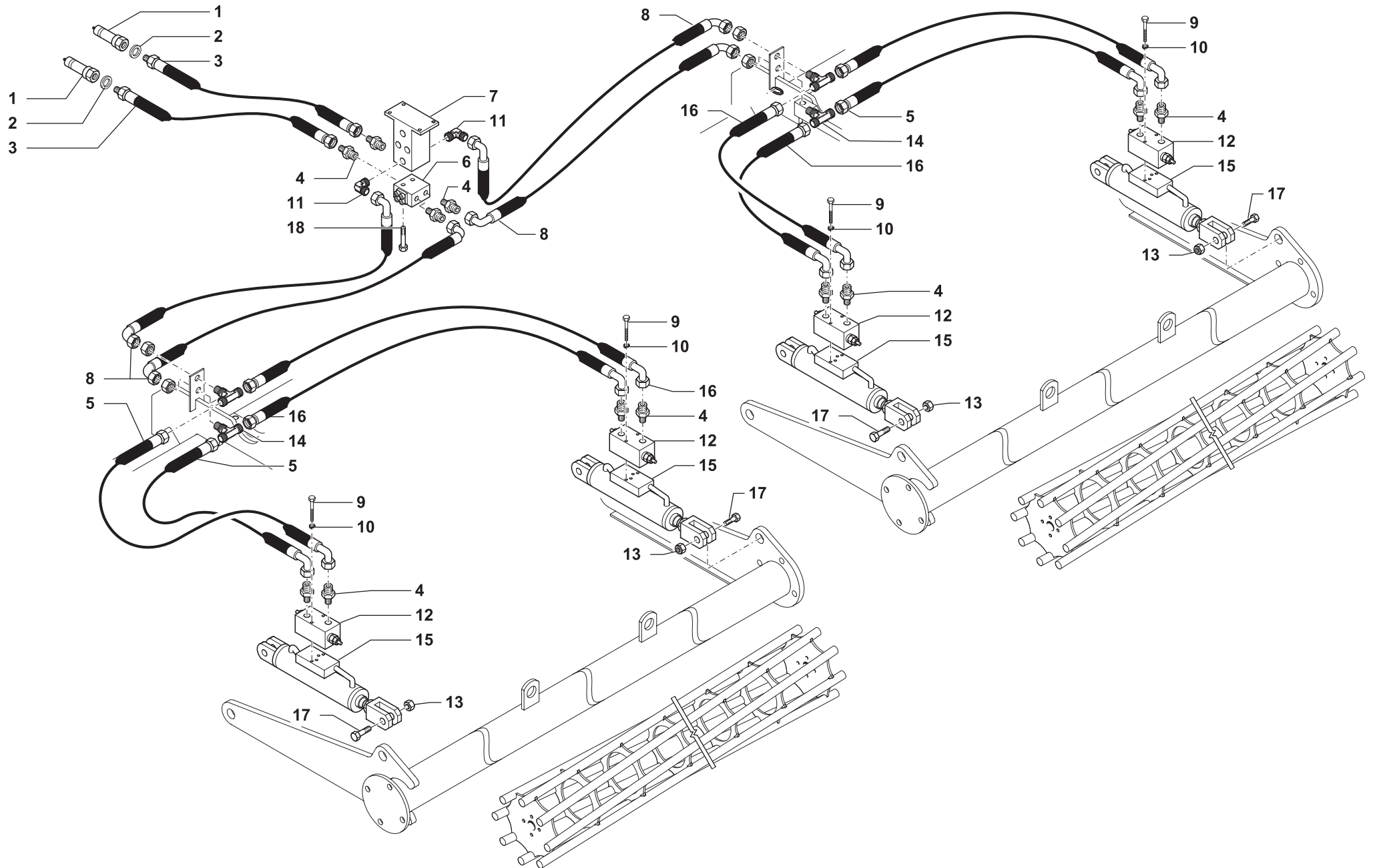
349.554

Rev.

00

0418

RIF.	CODICE	DENOMINATION
1	022082	Shap-on coupling
2	022236	Connection
3	023178	Hose
4	023119	Hose
5	022130	Connection
6	004072	Nut
7	671777	Complete jack
8	014192	Screw
9	023155	Hose
10	022129	Connection
11	021058F	Stop valve
	021109F	Floating valve
12	014123	Screw
13	011001	Washer
14	010023	Washer
15	008011	Grease nipple
16	671816F	Complete jack
17	022120	Connection
18	014032	Screw
19	010015	Washer
20	462265	Connection block
21	021114	Connection
22	611528	Plate
23	023127	Hose
24	022178	Connection
25	022275	Connection
26	021112	Filter



HYDRAULIC SYSTEM FOR ROLLER LIFTING

HYDRAULIC SYSTEM FOR ROLLER LIFTING

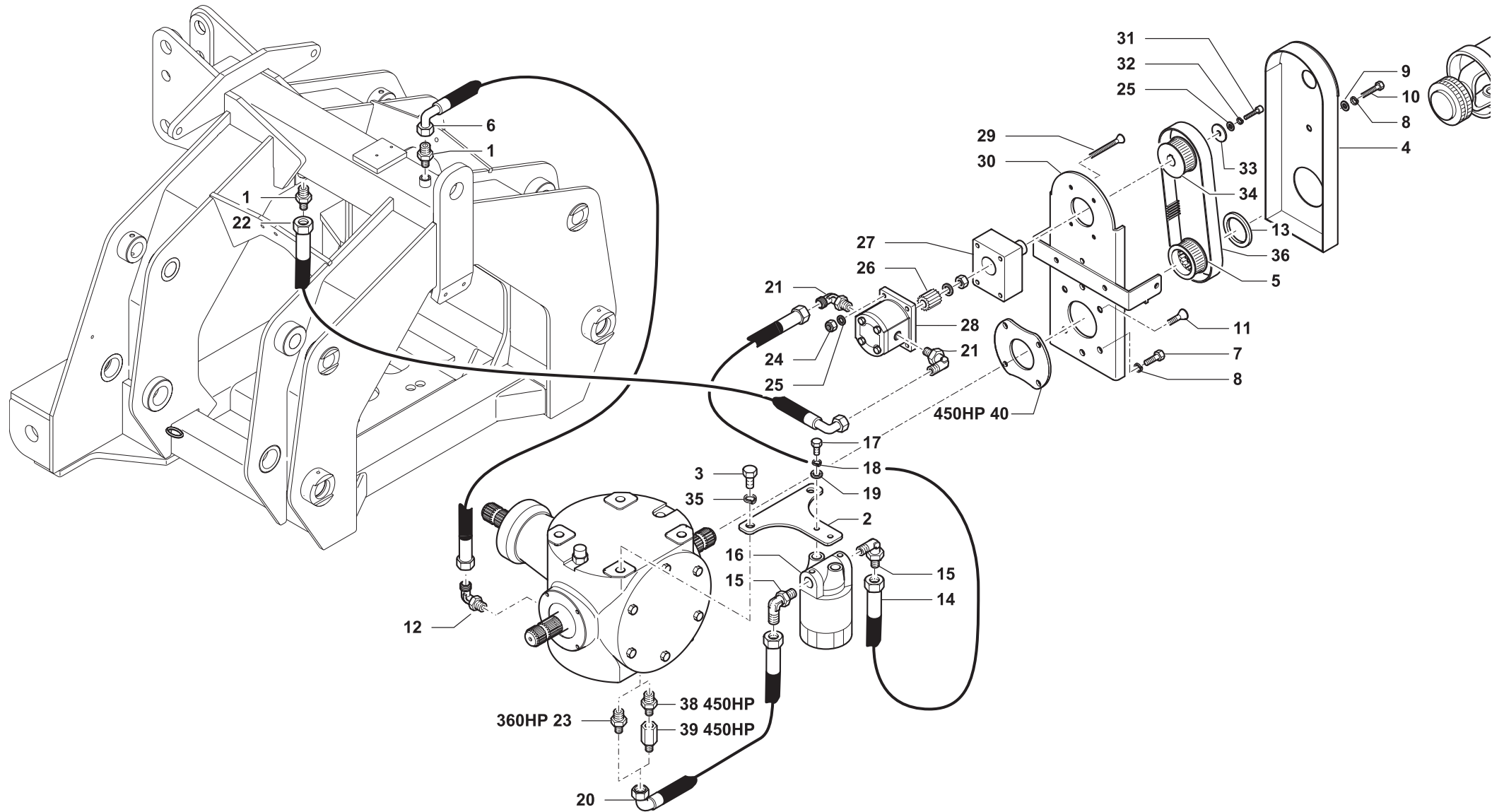
Tav.
Tab.
Taf.

350.559

Rev. **02**

0418

RIF.	CODICE	DENOMINATION
1	022082	Shap-on coupling
2	022087	Washer
3	023178	Hose
4	022130	Connection
500	5 023154	Hose
550	023152	Hose
600	023152	Hose
6	021073	Flow divider
7	462265	Connection block
8	023183	Hose
9	014351	Screw
10	011009	Washer
11	022120	Connection
12	021102F	Stop valve
13	004072	Nut
14	022178	Connection
15	471444F	Complete jack
16	023168	Hose
17	014398	Screw
18	014336	Screw



OIL COOLING KIT FOR CENTRAL GEARBOX

OIL COOLING KIT FOR CENTRAL GEARBOX

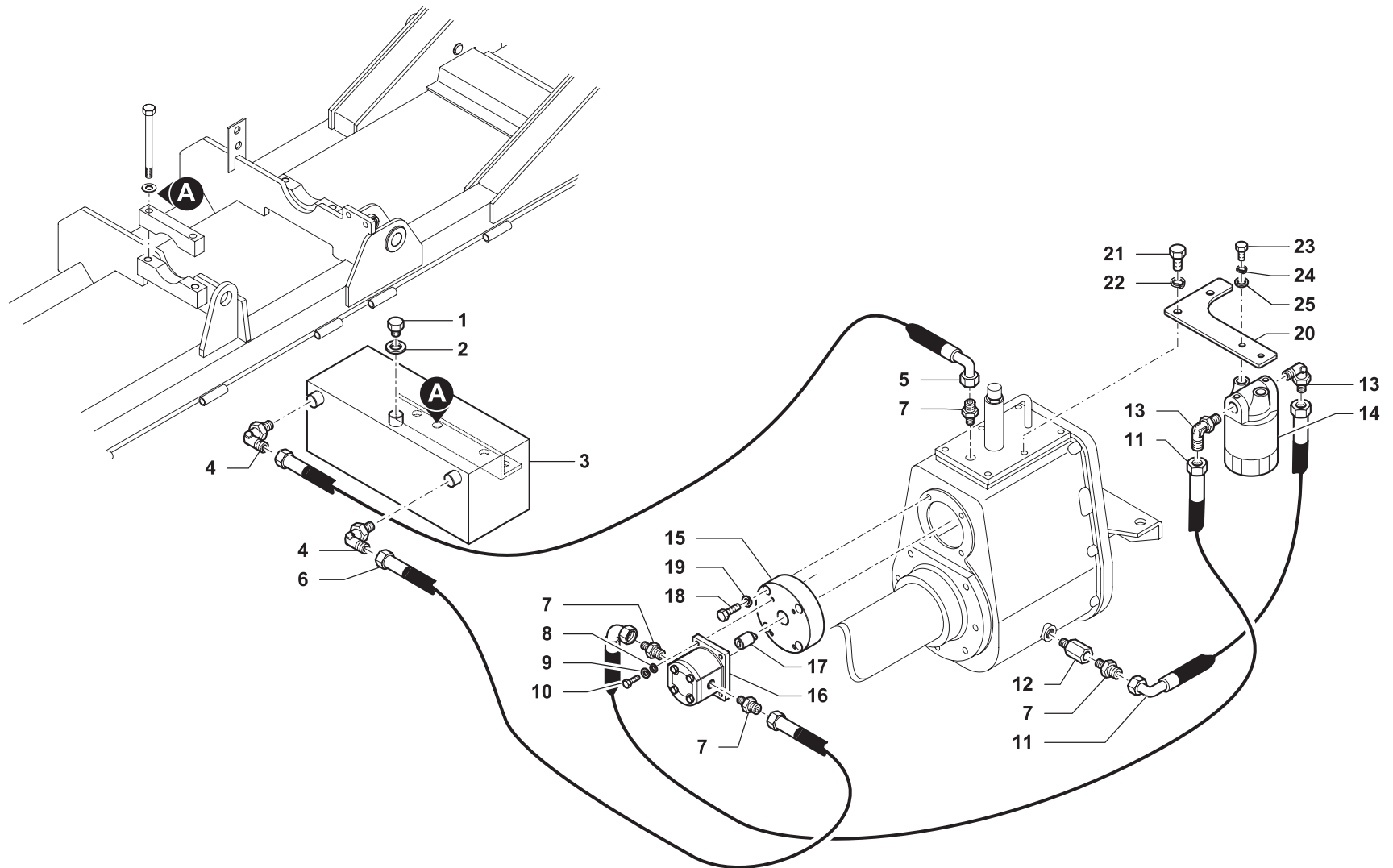
Tav.
Tab.
Taf.

350.561

Rev. **01**

0418

RIF.	CODICE	DENOMINATION		RIF.	CODICE	DENOMINATION
1	022129	Connection		33	010035	Washer
2	411140	Support		34	423925	Pulley
3	014427	Screw		35	011010	Grower
4	461090	Cover		36	021083	Trasmission belt
5	423606	Pulley		37	022121	Connection
6	023155	Hose	450HP	38	022129	Connection
7	014007	Screw	450HP	39	021064	Column
8	011032	Grower	450HP	40	411287	Flange
9	010004	Washer	360HP		971847	Cooling kit
10	014026	Screw	450HP		971851	Cooling kit
11	014320	Screw				
12	022223	Connection				
13	423937	Spacer				
14	023115	Hose				
15	022119	Connection				
16	021052	Filter				
17	014005	Screw				
18	011001	Grower				
19	010023	Washer				
20	023175	Hose				
21	022120	Connection				
22	023127	Hose				
360HP	23	022222	Connection			
24	004083	Nut				
25	010015	Washer				
26	021079	Hub				
27	021078	Support				
28	021051	Pump				
29	014393	Screw				
30	461107	Support				
31	014306	Screw				
32	011009	Grower				



OIL COOLING KIT FOR SIDE GEARBOXES

OIL COOLING KIT FOR SIDE GEARBOXES

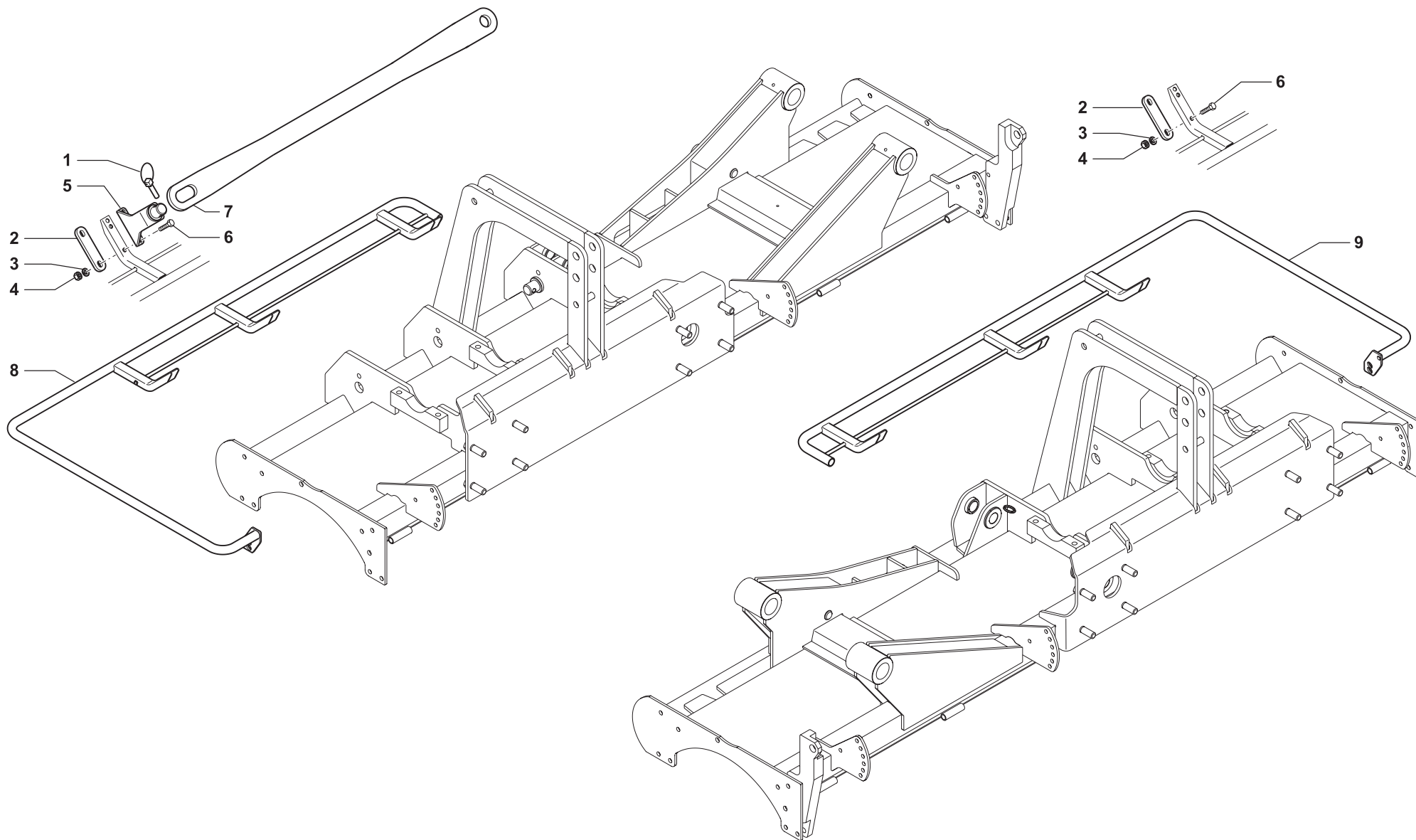
Tav.
Tab.
Taf.

350.562

Rev. **00**

0418

RIF.	CODICE	DENOMINATION
1	022153	Plug
2	022023	Washer
3	460065	Oil tank
4	022120	Connection
5	023175	Hose
6	023089	Hose
7	022129	Connection
8	010015	Washer
9	011009	Grower
10	014032	Screw
11	023127	Hose
12	021064	Column
13	022119	Connection
14	021052	Filter
15	422553	Cover
16	021054	Pump
17	823634	Hub
18	014458	Screw
19	011032	Grower
20	411931	Plate
21	014427	Screw
22	011010	Grower



SAFETY PROTECTIONS

SAFETY PROTECTIONS

Tav.
Tab.
Taf.

350.114

Rev. **00**

0518

RIF.	CODICE	DENOMINATION
1	013011	Pin
2	411910	Plate
3	011032	Grower
4	004066	Nut
5	460098	Support
6	014486	Screw
7	411043	Link arm
8	462538	L.H. Protection
9	462539	R.H. Protection
	978765	Safety protections